

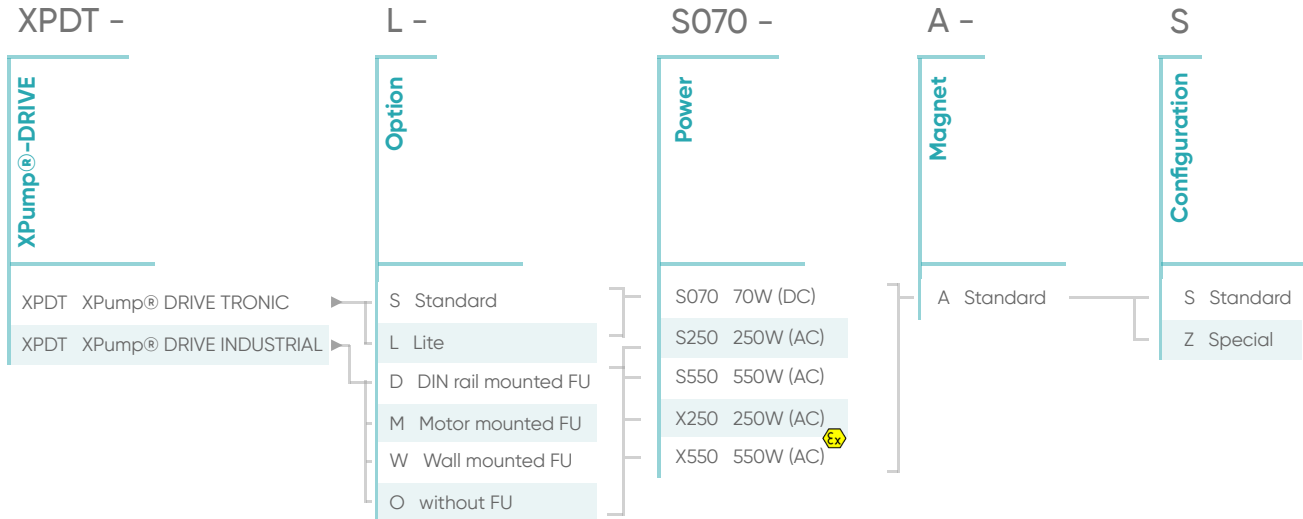
Technical Specifications

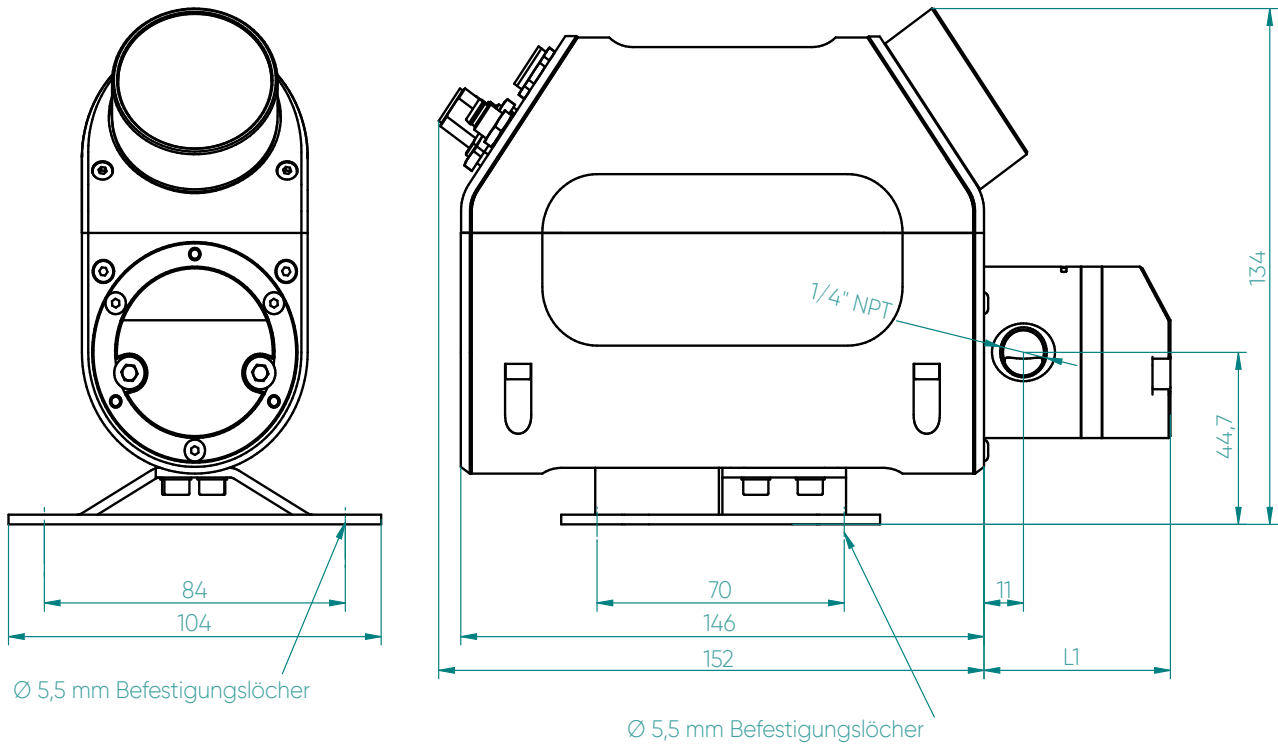
XPump[®]

Drives



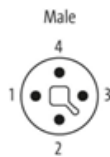
Type code





4-pol M12 T kodiert

Nr.	Signal	Wert
1	power	+24Vdc
2	GND	0Vdc
3	GND	0Vdc
4	setpoint	4-20mA

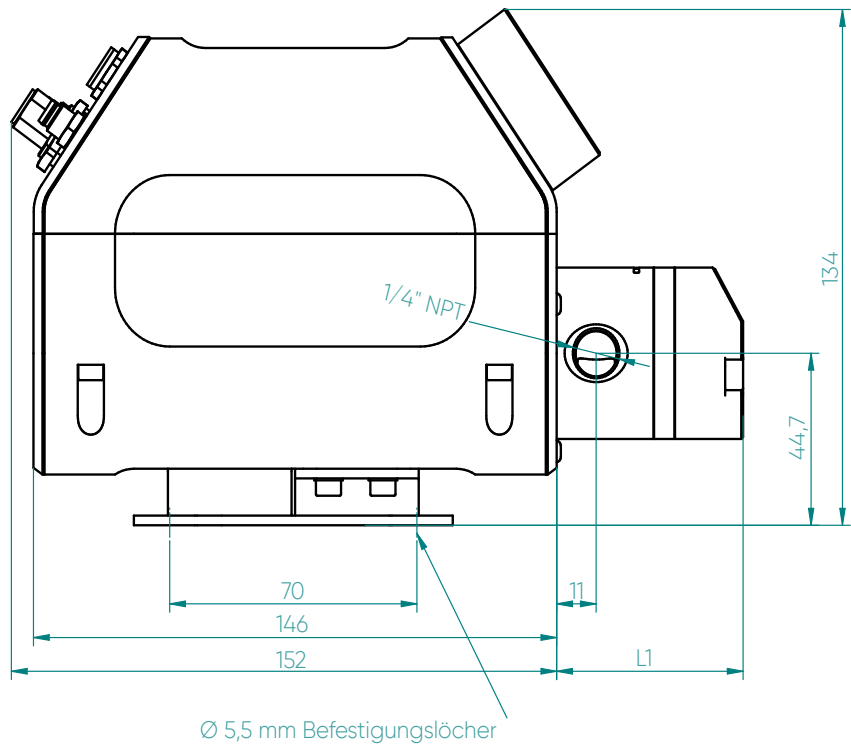
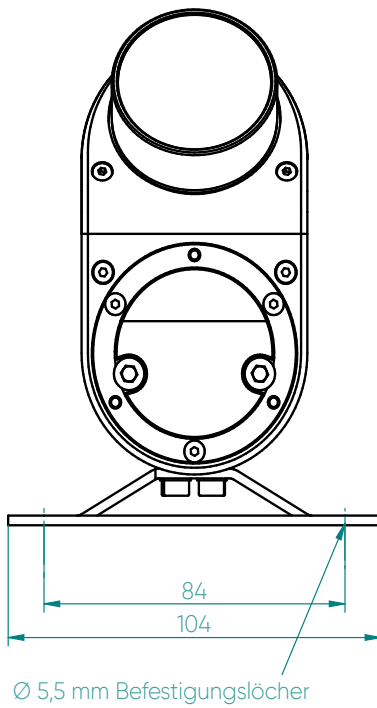


Pumpenkopflänge

XP1	L1
200	48
450	49,5
900	52,5
1k6	52,5
3k0	57,5
4k5	62,5
6k0	67,5

XPump® DRIVE TRONIC - XPDT-L-070-A-S

Versorgung	24 Vdc ±10%, 6A
Nennleistung	68 W
Drehzahl	300 .. 5.000 rpm
Nennmoment	0,17 Nm
Externe Sollwertvorgabe	4 .. 20 mA
Schnittstellen	USB
Gehäusematerial	Aluminium, Edelstahl
Schutzart	IP 40
Umgebungstemperatur	5 .. 40 °C
Gewicht	2,2 kg



4-pol M12 T kodiert

Nr.	Signal	Wert
1	power	+24 Vdc
2	GND	0 Vdc
3	GND	0 Vdc
4	setpoint	4-20 mA

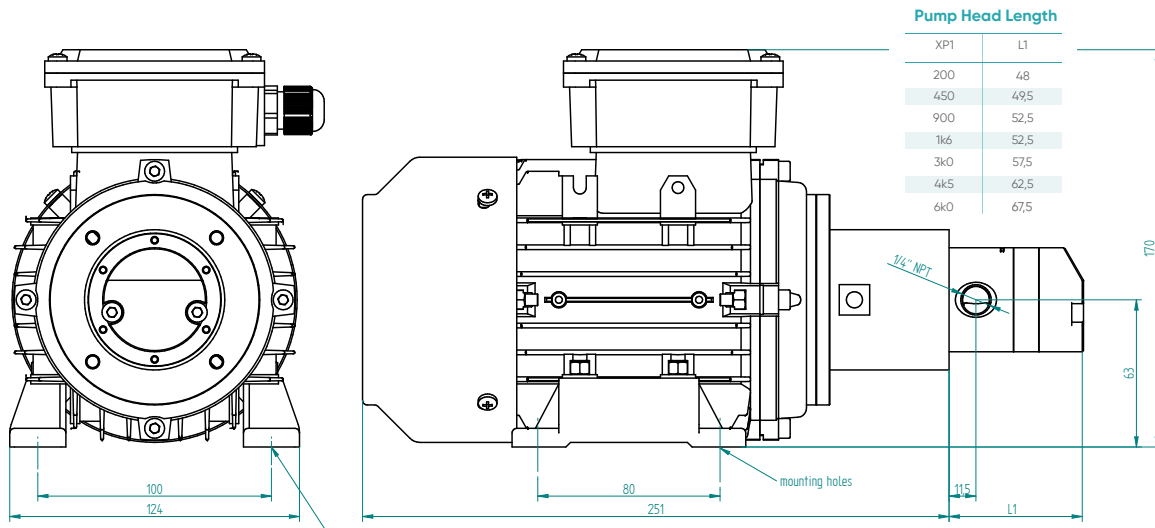


Pumpenkopflänge

XP1	L1
200	48
450	49,5
900	52,5
1k6	52,5
3k0	57,5
4k5	62,5
6k0	67,5

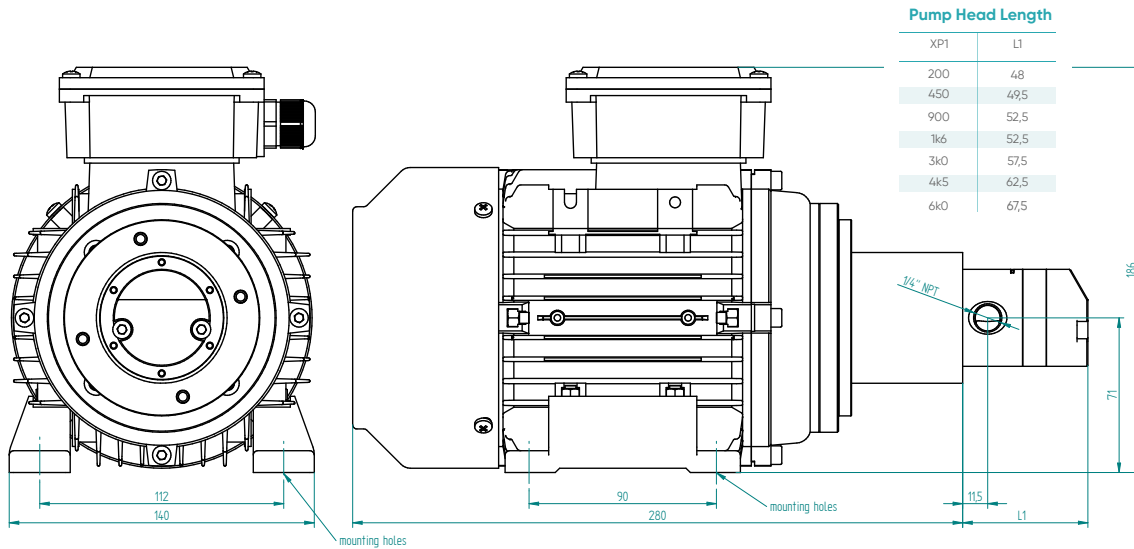
XPump® DRIVE TRONIC - XPDT-S-070-A-S

Versorgung	24 Vdc ±10%, 6A
Nennleistung	68 W
Drehzahl	300 .. 5.000 rpm
Nennmoment	0,17 Nm
Externe Sollwertvorgabe	4 .. 20 mA und digital
Schnittstellen	RS232, RS485, IO-Link, USB, I/O, BHT-Instrument
Gehäusematerial	Aluminium, Edelstahl
Schutzart	IP 40
Umgebungstemperatur	5 .. 40 °C
Gewicht	2,2 kg



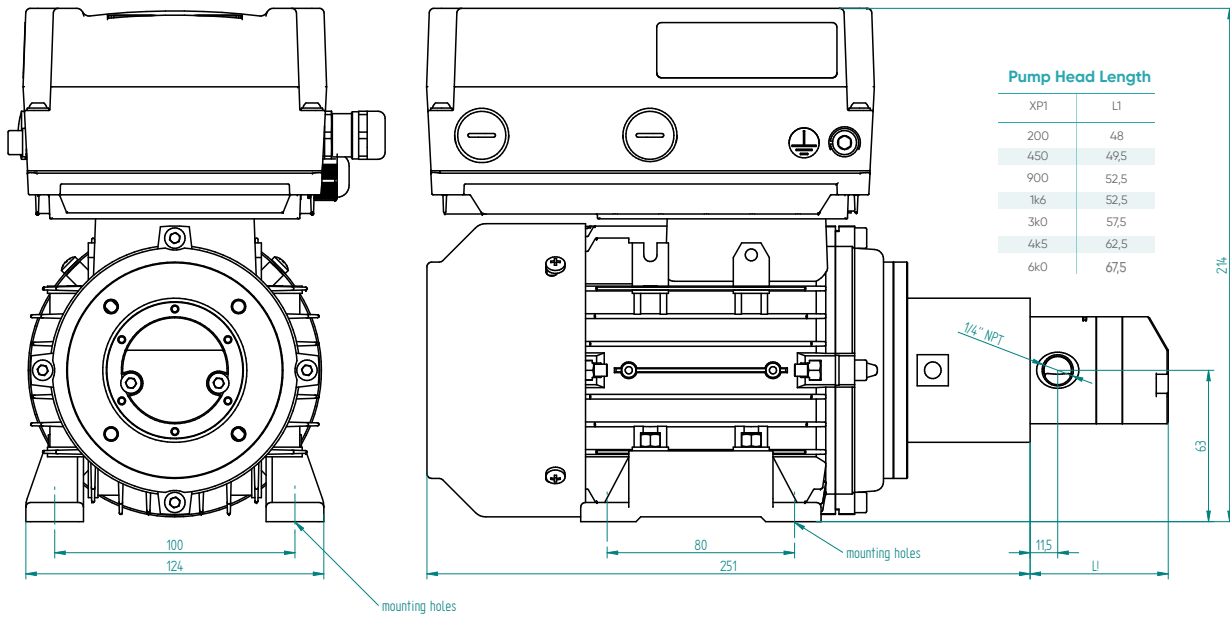
XPump® DRIVE INDUSTRIAL - XPDI-0-S250-A-S

Nominal Voltage	Δ 3 x 230 Vac Y 3 x 400 Vac
Nominal Frequency	50 Hz
Nominal Power	250 W, classification IE3
Nominal Speed	2840 rpm
Nominal Current	Δ 1,16A / Y 0,67A
Rated Torque	0,84 Nm
Size	63
Construction Type	B34
Weight	3,9 kg
Casing Material	Aluminum, plastic
Protection Class	IP55
Ambient Temperature	-20 .. +40°C
Accessories	Pump Mount IEC63



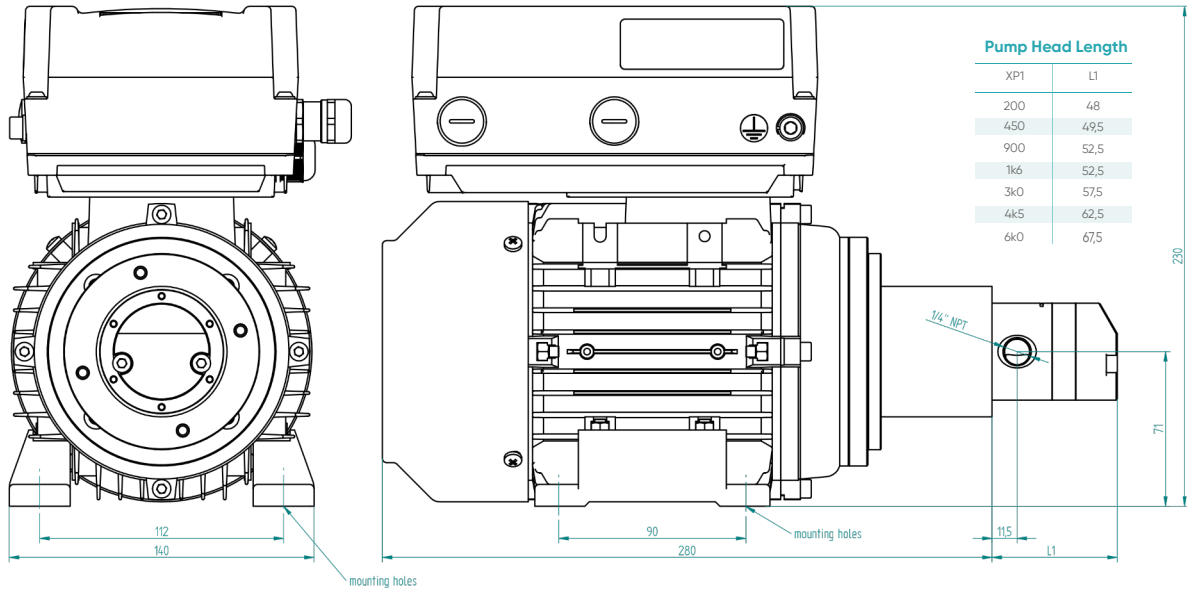
XPump® DRIVE INDUSTRIAL - XPDI-0-S550-A-S

Nominal Voltage	Δ 3 x 230 Vac Y 3 x 400 Vac
Nominal Frequency	50 Hz
Nominal Power	550 W, class IE3
Nominal Speed	2860 rpm
Nominal Current	Δ 2,2A / Y 1,28A
Rated Torque	1,84 Nm
Size	71
Construction Type	B34
Weight	6,2 kg
Casing Material	Aluminium, plastic
Protection Class	IP55
Ambient Temperature	-20 .. +40°C
Accessories	Pump Mount IEC71



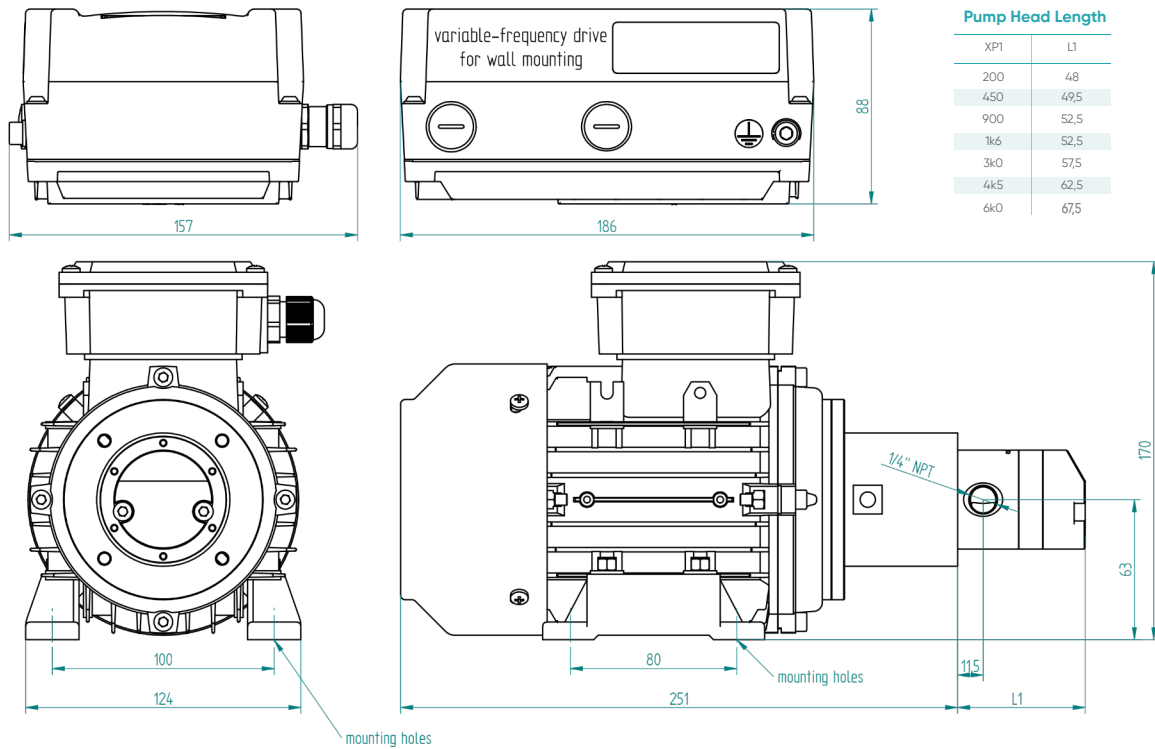
XPump® DRIVE INDUSTRIAL - XPDI-M-S250-A-S

Voltage	1 x 230 Vac, 50 .. 60 Hz
Power	250 W
Nominal Speed	2840rpm @50Hz
Speed Range	(0) .. 300 .. 5000rpm
Analog Input Signal	4-20 mA
Nominal Current	1,16A
Rated Torque	0,84Nm
Size	63
Construction Type	B34
Weight	5,4 kg
Casing Material	Aluminium, plastic
Protection	IP55
Ambient Temperature	-10 .. +40°C
Accessories	Pump Mount IEC63 Variable Frequency Drive (Motor Mounting)



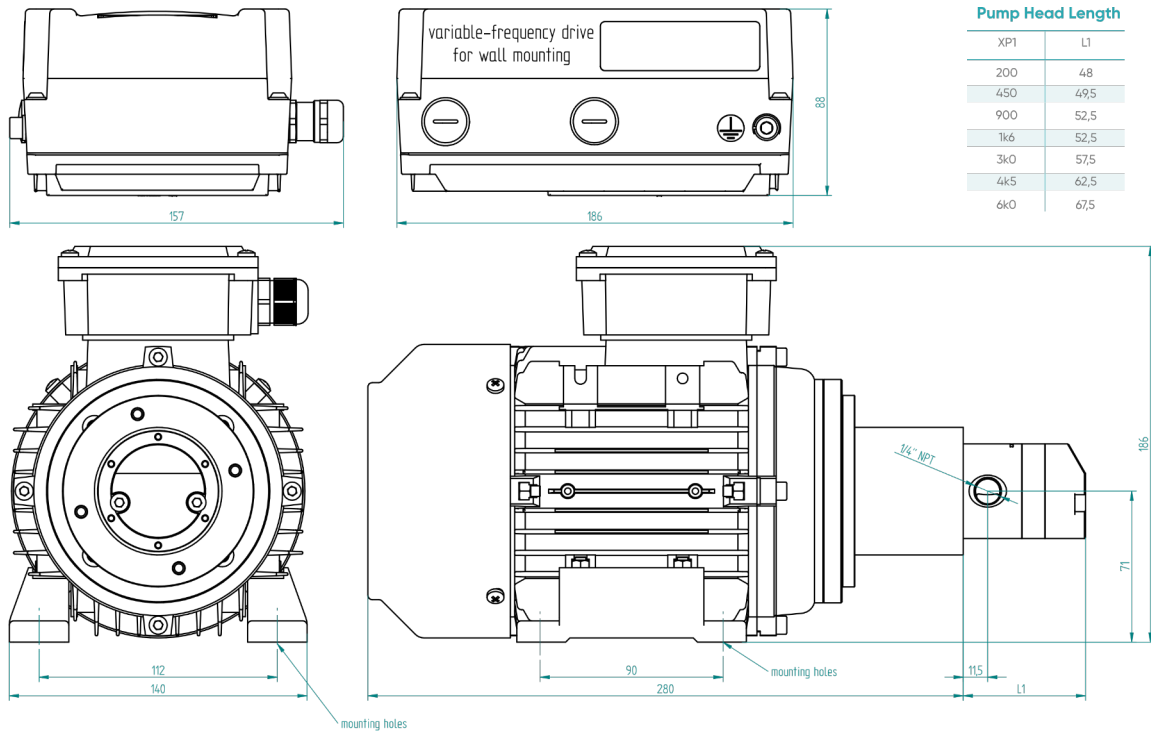
XPump® DRIVE INDUSTRIAL - XPDI-M-S550-A-S

Voltage	1 x 230 Vac, 50 .. 60 Hz
Power	550 W
Nominal Speed	2840 rpm @50 Hz
Speed Range	(0) .. 300 .. 5000 rpm
Analog Input Signal	4-20 mA
Nominal Current	2,2A
Rated Torque	1,84 Nm
Size	71
Construction Type	B34
Weight	7,7 kg
Casing Material	Aluminium, plastic
Protection	IP55
Ambient Temperature	-10 .. +40°C
Accessories	Pump Mount IEC71 Variable Frequency Drive (Motor Mounting)



XPump® DRIVE INDUSTRIAL - XPDI-W-S250-A-S

Voltage	1 x 230 Vac, 50 .. 60 Hz
Power	250 W
Nominal Speed	2840 rpm @50 Hz
Speed Range	(0) .. 300 .. 5000 rpm
Analog Input Signal	4-20 mA
Nominal Current	1,16 A
Rated Torque	0,84 Nm
Size	63
Construction Type	B34
Weight	5,4 kg
Casing Material	Aluminium, plastic
Protection Class	IP55
Ambient Temperature	-10 .. +40°C
Accessories	Pump Mount IEC63 Variable Frequency Drive (Wall Mounting)

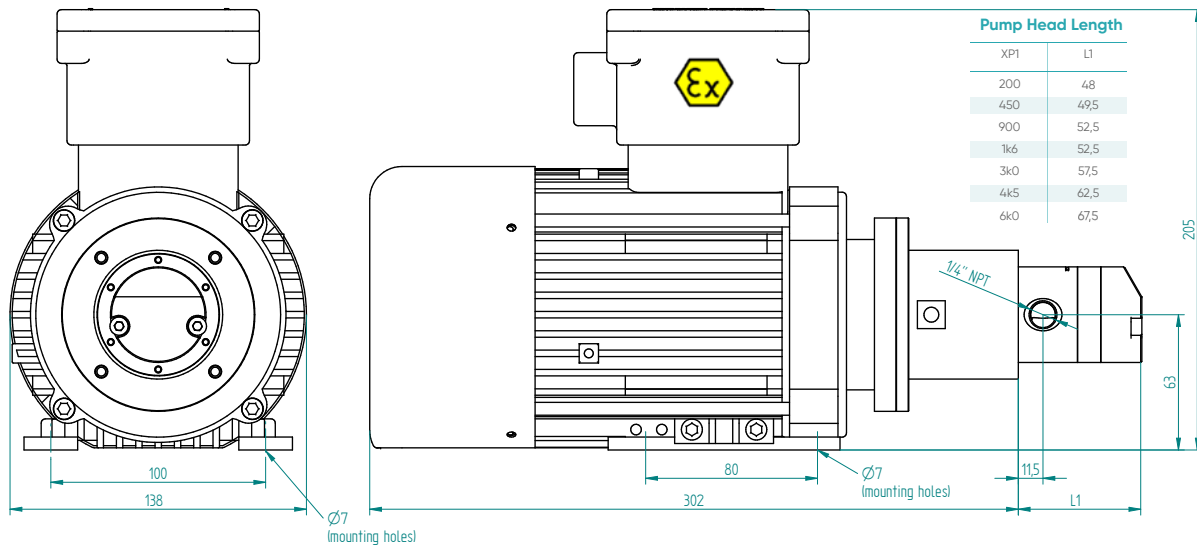


Pump Head Length

XP1	L1
200	48
450	49,5
900	52,5
1k6	52,5
3k0	57,5
4k5	62,5
6k0	67,5

XPump® DRIVE INDUSTRIAL - XPDI-W-S550-A-S

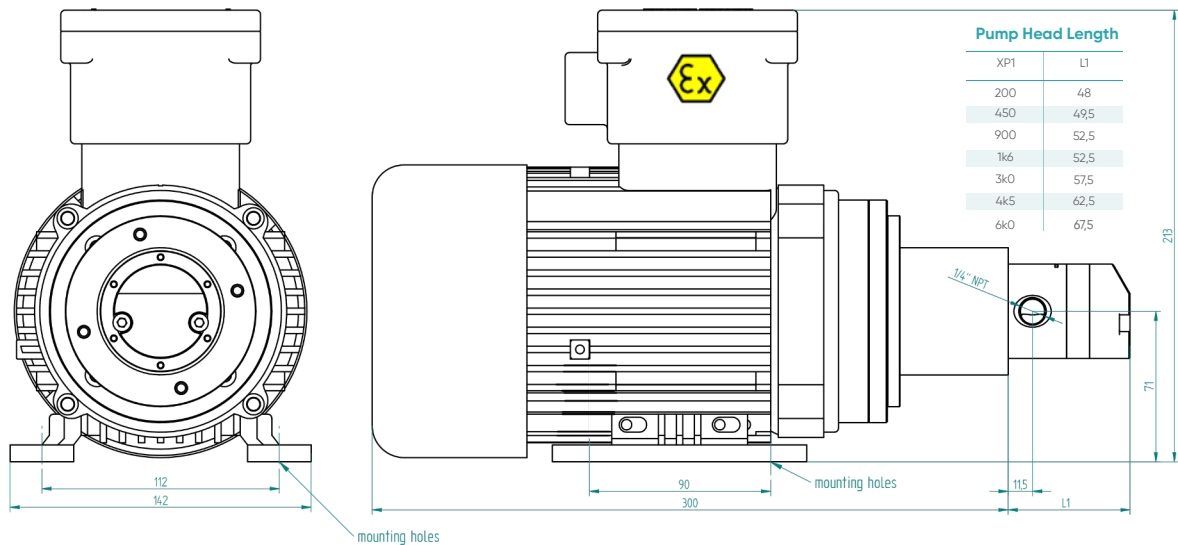
Voltage	1 x 230 Vac, 50 .. 60 Hz
Power	550 W
Nominal Speed	2840 rpm @50 Hz
Speed Range	(0) .. 300 .. 5000 rpm
Analog Input Signal	4-20 mA
Nominal Current	2,2 A
Rated Torque	1,84 Nm
Size	71
Construction Type	B34
Weight	7,7 kg
Casing Material	Aluminium, plastic
Protection	IP55
Ambient Temperature	-10 .. +40°C
Accessories	Pump Mount IEC71 Variable Frequency Drive (Wall Mounting)



XPump® DRIVE INDUSTRIAL - XPDI-O-X250-A-S

Nominal Voltage	Δ 3 x 230 Vac Y 3 x 400 Vac
Nominal Frequency	50 Hz
Rated power	250 W
Nominal Speed	2840 rpm
Nominal Current	Δ 1,07A / Y 0,62A
Rated Torque	0,9 Nm
Size	63
Construction Type	B34
Weight	7,0 kg
Casing Material	Aluminium
Protection Class	IP66
Ex Protection Type	II 2G Ex h IIB T2 to T6 Gb II 2D Ex h IIIC T135°C Db
Ambient Temperature	-20 .. +60°C (for T4)
Accessories	Pump Mount IEC63





XPump® DRIVE INDUSTRIAL - XPDI-O-X550-A-S

Nominal Voltage	Δ 3 x 230 Vac Y 3 x 400 Vac
Nominal Frequency	50 Hz
Nominal Power	550 W
Nominal Speed	2840 rpm
Nominal Current	Δ 2,6A / Y 1,5A
Rated Torque	1,87 Nm
Size	71
Construction Type	B34
Weight	9,0 kg
Casing Material	Aluminium
Protection Class	IP66
Ex Protection Type	II 2G Ex h IIB T2 to T6 Gb II 2D Ex h IIIC T135°C Db
Ambient Temperature	-20 .. +60°C (for T4)
Accessories	Pump Mount IEC71

